


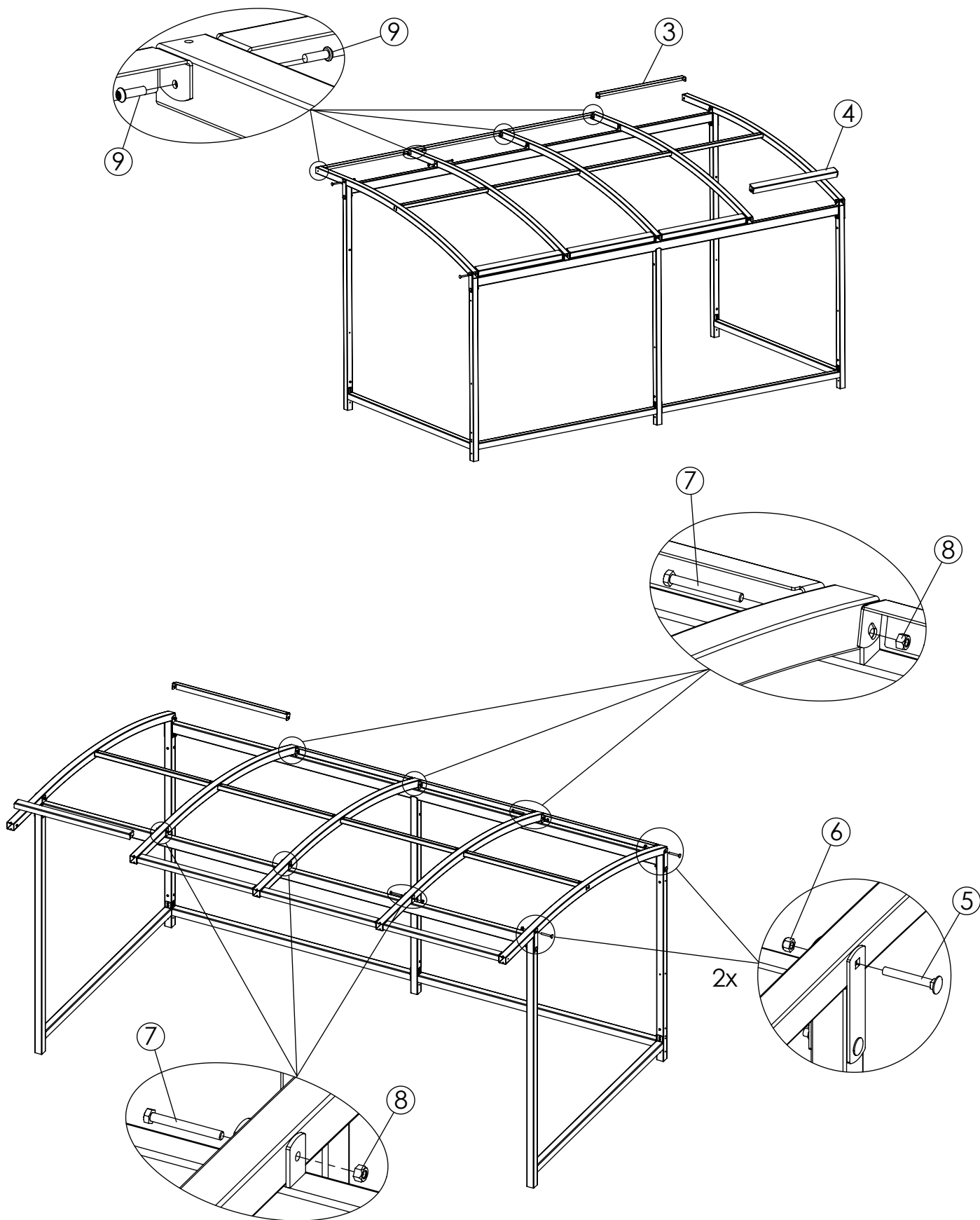


No.	Description	Art. No.	Qty
1	2610xs60x60 mm	8043495	5
2	1030x40x40 mm	8043516	4

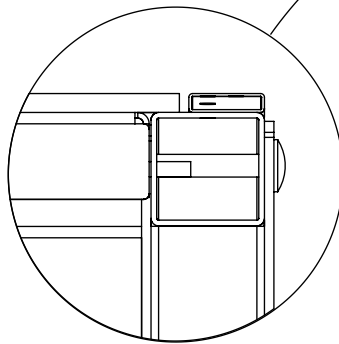
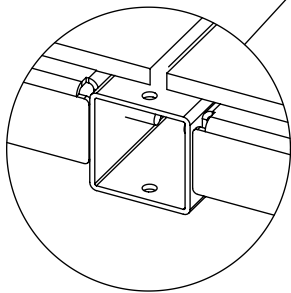
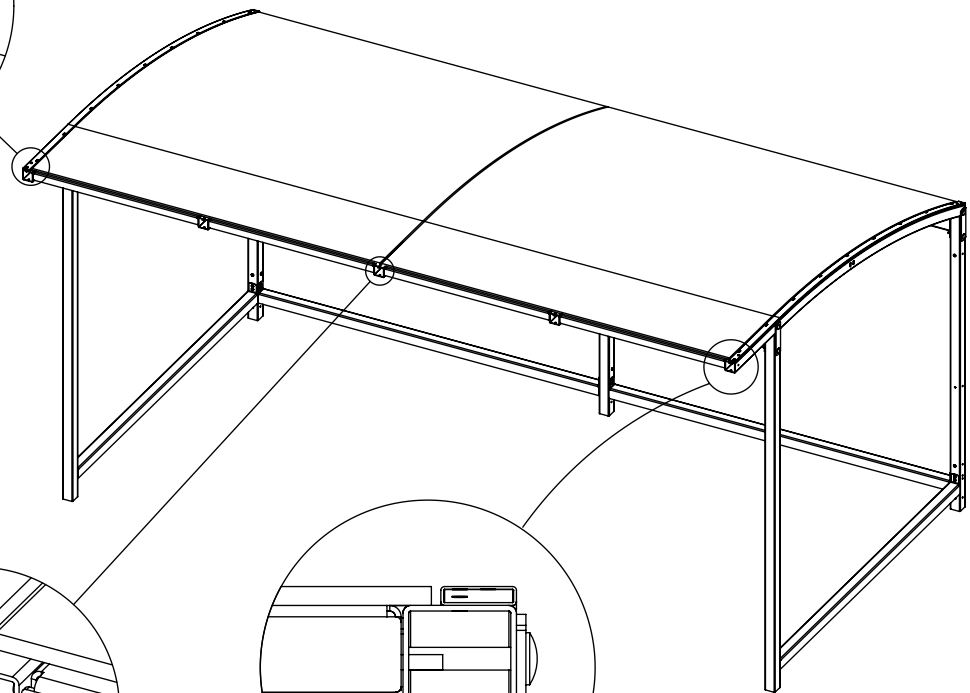
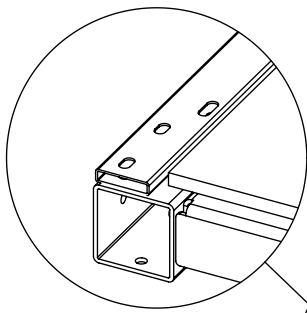
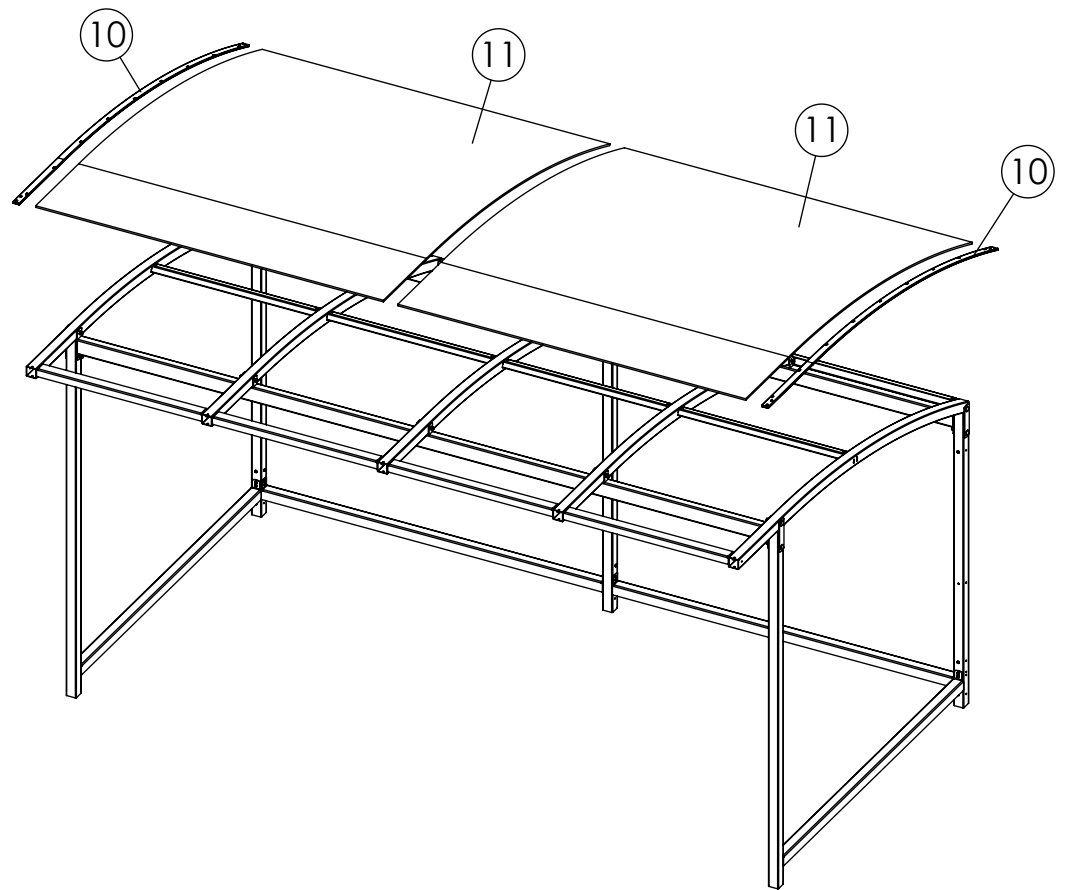
					
Vaulted Plastic Roof MASW36016 1 (4)					
	TJ		OG	2014-06-23	0





Nr	Description	Art. No.	Qty
3	990x60x45 mm	8043517	4
4	990x70x55 mm	8043597	4
5	MVBF M12x90	8039300	4
6	M6LA2M-8 M12	8008797	4
7	M6S M10x90	8008391	6
8	M6M M10	8008796	6
9	KTS-GF M8x25	8008506	8

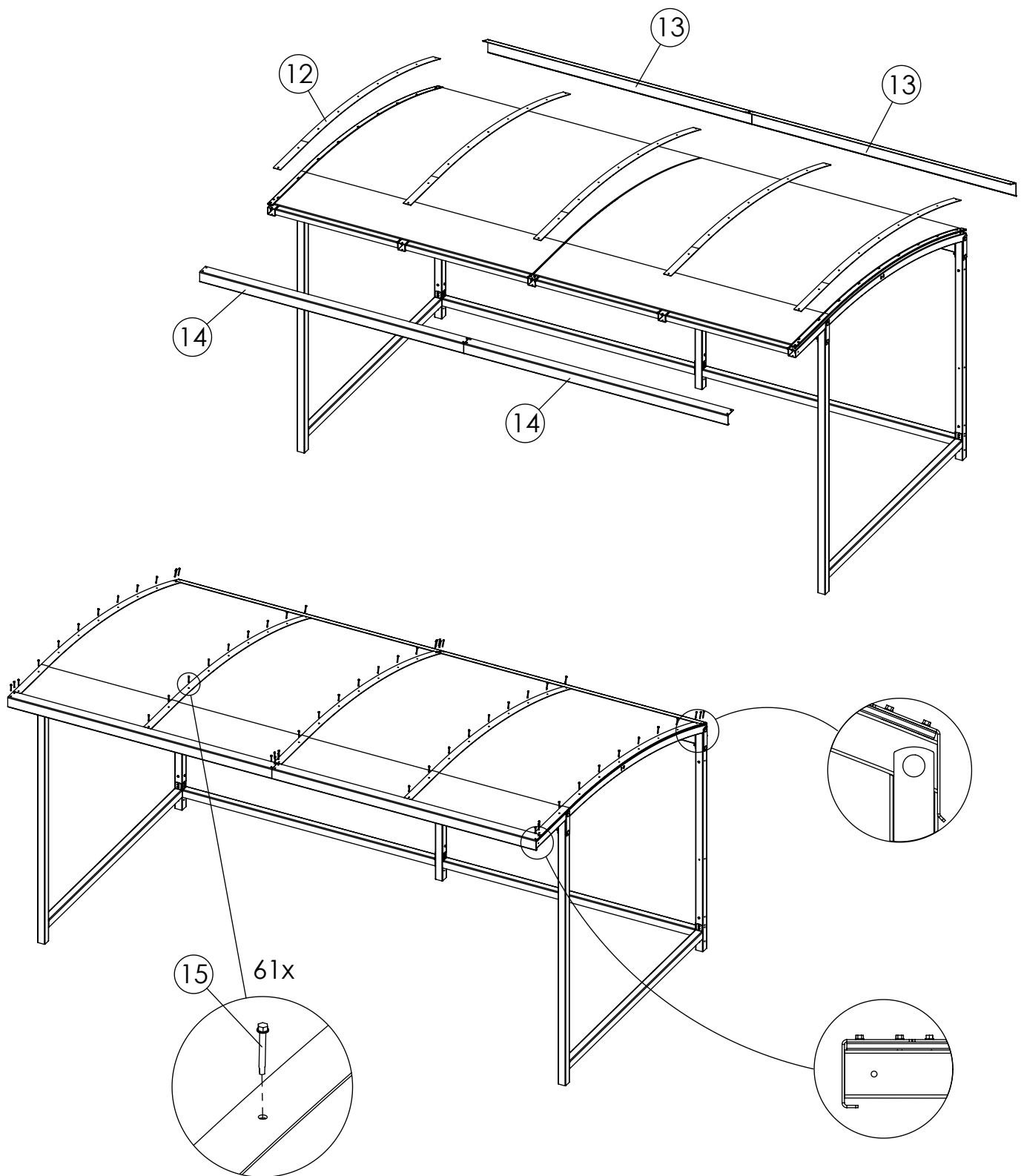
KÄLLS
Vaulted Plastic Roof
MASW36016
2 (4)

TJ OG 2014-06-23 0



				
Vaulted Plastic Roof MASW36016 3 (4)				
	TJ		OG	2014-06-23 0

No.	Description	Art. No.	Qty
10	2650x40x10 mm	8043608	2
11	2620x2080x10 mm	8043613	2



No.	Description	Art. No.	Qty
12	2490x60 mm	8043611	5
13	2130x90x145 mm	8043610	2
14	2130x90x85 mm	8043609	2
15	R6B A2 5,5x45	8043616	61

KÄLLS
Vaulted Plastic Roof
MASW36016
4 (4)

TJ OG 2014-06-23 0